

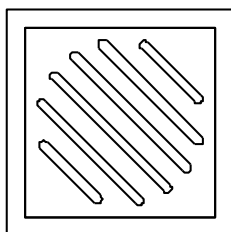


## SHOWER / WETROOM DRAIN WP120 PREMIUM



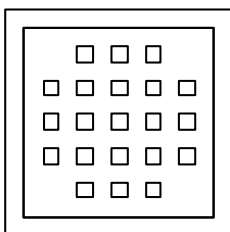
WP120 is the medium drain available in this range. The top surface of the drain is 3 mm thick stainless steel 120mm x 120mm consisting of the frame and grating. The product has many variations making it very flexible to suit all possible situations in the shower.

### ZONDA



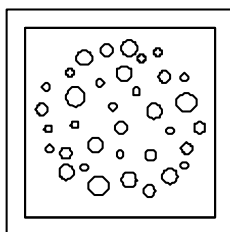
- mirror
- brushed
- matt

### SIROCCO



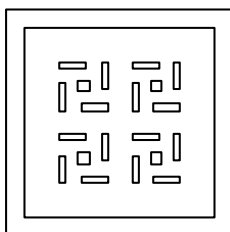
- mirror
- brushed
- matt

### MISTRAL



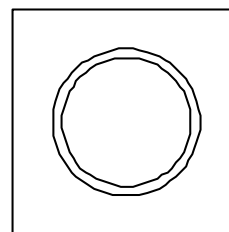
- mirror
- brushed
- matt

### TIVANO

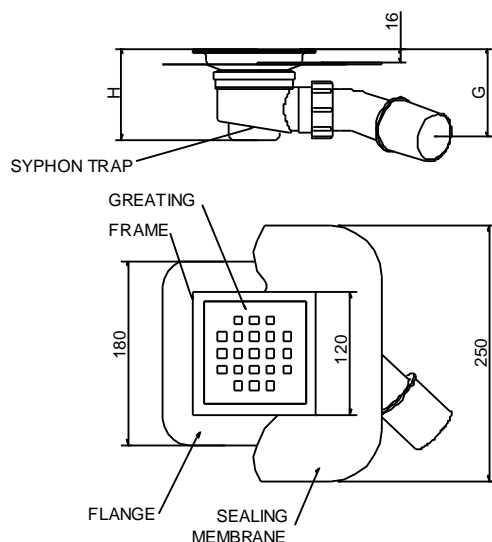


- mirror
- brushed
- matt

### PONENTE



- mirror
- mix (frame brushed +grating mirror)



TYPE	H [mm]	G [mm] <sup>2)</sup>	Q [l/min] <sup>1)</sup>
WP120 Premium S	115	68	26/50
WP120 Premium N	88	68	15/26

1) Flow rate complies with EN 274:2002

2) Average dimension (adjustable by rotating outlet tube)

WIPER PREMIUM drains incorporate an insulating flange which is useful in creating a perfect seal between the drain and tiles. As an option, it is possible to purchase a sealing membrane which lays on the flange and under the tiles extending the waterproof area around the drain. When the insulating flange is not required, please refer to our WIPER CLASSIC series without flange.